

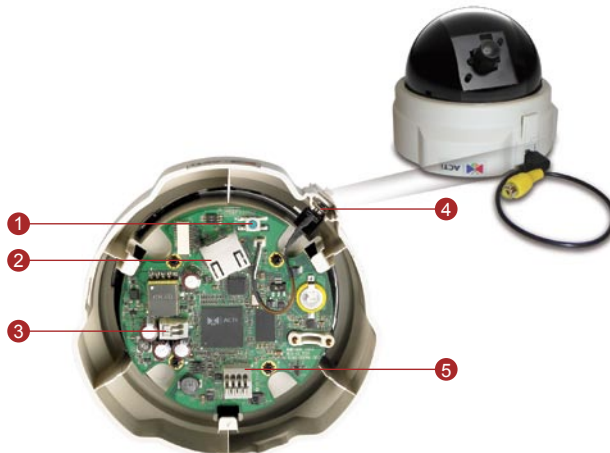


SuperCMOS IP Dome Camera  
with IR Option

# ACM-3100 Series

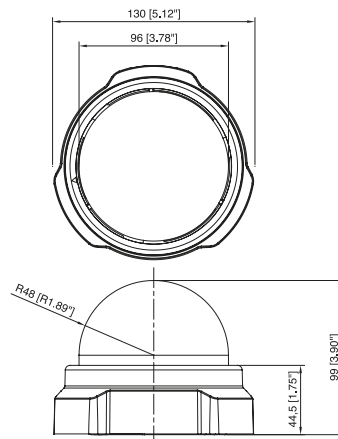


- Superior low-light performance down to 0.1 Lux
- Build in 3.8 mm fixed lens
- Build in IR LED and CDS sensor (ACM-3111)
- MPEG-4 / MJPEG compression supported
- CIF up to VGA resolution at 30/25 FPS
- Two way audio supported
- Power over Ethernet (IEEE 802.3af) supported (ACM-3101/ACM-3111)



- |                 |                        |
|-----------------|------------------------|
| 1 Reset Button  | 4 Analog Video Output  |
| 2 Ethernet Port | 5 Audio Input / Output |
| 3 Power Input   |                        |

## DIMENSION DIAGRAM



Unit: mm [inch]



# ACM-3100 Series

## PRODUCT SPECIFICATION

|                         |                          | ACM-3100   | ACM-3111  |
|-------------------------|--------------------------|--|---|
| Image                   | Device                   | Micron Interlaced Scan SuperCMOS   |   |
|                         | Size                     | 1/4 inch   |   |
|                         | Effective Pixels         | 640 x 480 (NTSC); 640 x 480 (PAL)  |   |
| Min. Scene Illumination | Color                    | 0.1 Lux at F2.0  | Color mode automatically switched to B/W mode under 4 Lux |
|                         | B/W                      | N/A  | 0 Lux at IR LED On  |
|                         | IR Sensitivity           | N/A  | from 700 nm to 1100 nm                                    |
|                         | IR LED                   | N/A  | IR LED x15 (850 nm)                                       |
|                         | CDS Sensor               | N/A  | Yes   |
|                         | IR Working Distance      | N/A  | 10 M (30 IRE)   |
| Lens                    | Focal Length             | f 3.8 mm / F2.0  |   |
|                         | Viewing Angle            | 71.5° (Horizontal)   |   |
| Camera Angle Adjustment | X (Panning)              | 0° ~ 170°  |   |
|                         | Y (Tilting)              | 0° ~ 90°   |   |
| Synchronization         | Sync. System             | Internal   |   |
| Day/Night Functions     | Mechanical IR Cut Filter | N/A  | Yes   |
|                         | Motion Detection         | Yes (3 windows)  |   |
| Functions               | Electronic Shutter       | 1/25 ~ 1/10,000 sec. (NTSC); 1/30 ~ 1/10,000 sec. (PAL)  |   |
|                         | AGC                      | Automatic  |   |
|                         | White Balance            | AWB / MWB (switchable)   |   |
| S/N Ratio               | S/N Ratio                | Better than 38.8 dB  |   |
|                         | Compression              | MPEG-4 SP, MJPEG selectable  |   |
| Video Compression       | Picture Resolution       | VGA (640x480 in NTSC, 640x480 in PAL); CIF (352x240 in NTSC, 352x288 in PAL); QCIF (176x120 in NTSC, 176x144 in PAL) |   |
|                         | Bit Rate                 | 28 K ~ 3M bps  |   |
|                         | Image Frame Rate         | 30 fps at VGA resolution (NTSC); 25 fps at VGA resolution (PAL)  |   |
| Video Output            | Video Output             | CVBS, 1.0Vp-p with 75Ω loading, 3.5mm Phone Jack   |   |
| Audio Input             | Compression              | 8kHz, Mono, PCM  |   |
|                         | Audio Line Input         | Unbalanced, 1.4Vp-p, 1Vrms, terminal block   |   |
| Audio Output            | Compression              | 8 kHz, Mono, PCM   |   |
|                         | Audio Line Output        | Unbalanced, 1.4Vp-p, 1Vrms, terminal block   |   |
| External I/O            | Reset Button             | Factory default  |   |
| Casing                  | Mount Types              | Surface / Wall (option)  |   |
| Network                 | Ethernet                 | Ethernet(10/100 Base-T), RJ-45 Connector   |   |
|                         | Protocol                 | TCP, UDP, IP, HTTP, DHCP, PPPoE, RTP, RTSP   |   |
|                         | Web Browser              | Microsoft Internet Explorer 6.0 or above   |   |
| Software                | SDK                      | ActiveX control, C SDK   |   |
|                         | Security                 | Password protection: configured by the administrator   |   |
| Operating               | Temperature              | -10 °C ~ 50 °C (14 °F ~ 122 °F)  |   |
| Power                   | Power Requirement        | DC 12 V ±10% (ACM-3100); PoE (IEEE802.3af) with Class 3 (ACM-3101)   | PoE (IEEE802.3af) with Class 3 (ACM-3111)                 |
|                         | Power Consumption        | 3.2 W (DC 12 V)<br>4.22 W (PoE)  | 4.5 W (DC 12 V) w/ IR ON<br>5.8 W (PoE) w/ IR ON          |
| Physical                | Dimensions (øxL)         | 130 mm X 99 mm (5.12" x 3.90")   |   |
|                         | Weight                   | 350 g (0.7 lb)   |   |

## ORDERING INFORMATION

| Model Name | NTSC | PAL | DC 12 V | DC 12 V / PoE | IR |
|------------|------|-----|---------|---------------|----|
| ACM-3100N  | V    |     | V       |               |    |
| ACM-3100P  |      | V   | V       |               |    |
| ACM-3101N  | V    |     |         | V             |    |
| ACM-3101P  |      | V   |         | V             |    |
| ACM-3111N  | V    |     |         | V             | V  |
| ACM-3111P  |      | V   |         | V             | V  |

## ACCESSORY OPTIONS

- Wall mount kit

MTB-201-R0



MTB-201-R0